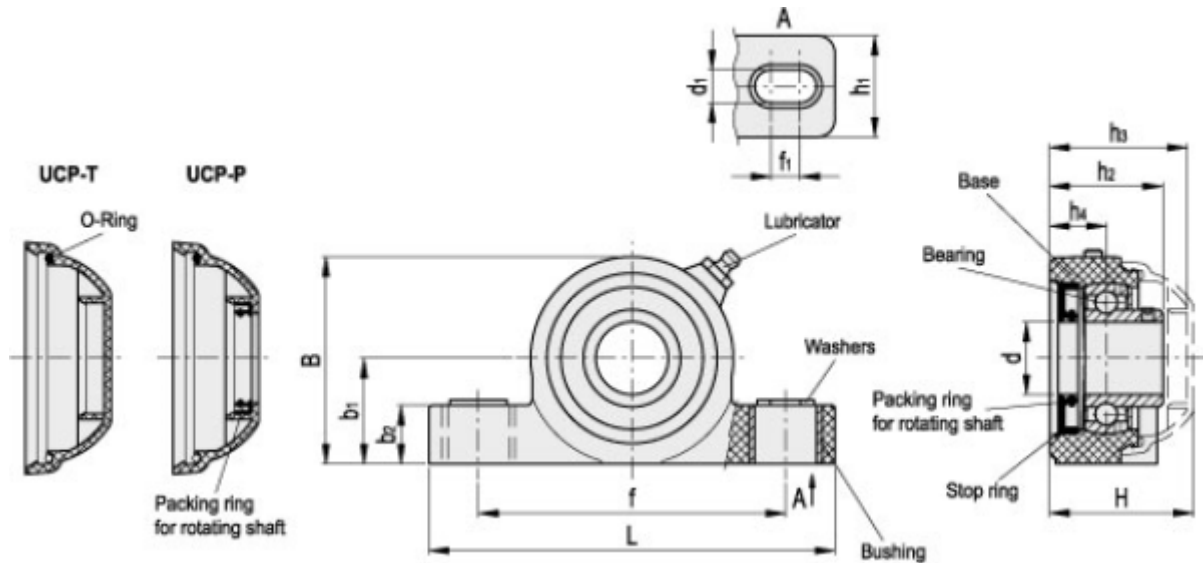


Article number: 2310419533

Description: E+G flanged self-aligning brackets UCP.205-C-25-P

Measures



B	= 71.5	f	= 106
b1	= 36.5	f1	= 10
b2	= 20	H	= 51.7
Bearing dynamic load in N	= 14000	h1	= 35
Bearing static load in N	= 7000	h2	= 39
Bracket load in N	= 6000	h3	= -
d	= 25	h4	= 19.6
d1	= 13	L	= 140